



# Shenzhen OKD Technology Co.,Ltd

## MKC17103

Make in Russia

### Dry reed pipe principle

Dry reed pipe is dry tongue reed pipe abbreviation, is a kind of have the contact's passive electronic switch components, the structure is simple, easy to control the advantages of small size, its shell is generally a root sealed glass pipe, equipped with two iron in the flexibility of the reeds panels, still have a kind of call metal filling rhodium inert gases.

At ordinary times, in the tube by two special material made of reeds is separate when a magnetic material near the glass tube, the magnetic field lines, under the action of the tube, the two reeds be magnetized and attract each contact, reeds will suck together, make the circuit connected. The magnetic force disappeared after two reeds because of their stretch and separate, line is also is returned.

### Characteristics and application

1, dry tongue reed pipe compact structure, small weight, can be installed in the extremely limited space, very suitable for miniaturization equipment.

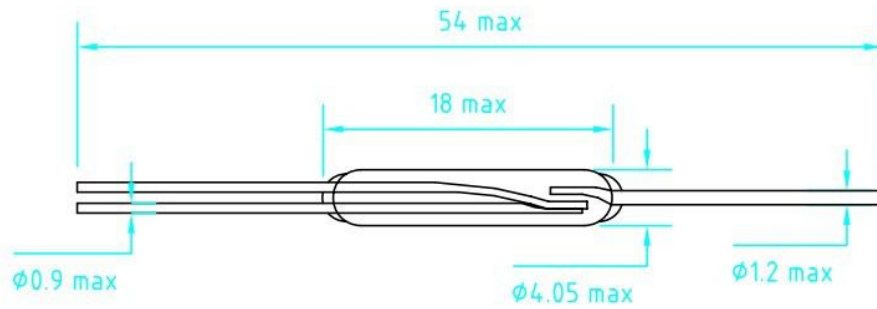
2, dry tongue reed pipe of the switch components is hermetically sealed type in a inert gases in the atmosphere, never with the outside environment contact, long working life

3, dry tongue reed pipe not the sliding components, so will not occur in all the metal relegation metal fatigue phenomenon, ensure that in fact no limit of machinery service life

4, magnetic reed switch get a good application on the phone ,to the washing machine ,of SPC exchanges refrigerator ,camera disinfect ,cupboard door magnetic, window magnetic ,electromagnetic relays ,electron weighing ,apparatus level gauge ,gasometer, water meter, and so on .

### Electrical parameters





Contact Form 接触方式	C	
Max. Contact Rating 最大功率	30 W	
Max. Switching Voltage 最大开关电压	125 VDC	
Min. Breakdown Voltage 最小崩溃电压	180 VDC	
Max. Switching Current 最大开关电流	1.0 A	
Max. Carry Current 最大负载电流	-----	
Max. Initial Contact Resistance 最大接触电阻	150 mΩ	
Min. Insulation Resistance 最小绝缘电阻	NC_5x10 <sup>8</sup> Ω	NO_1x10 <sup>9</sup> Ω
Max. Operate time 动作时间	1.5 ms	
Bounce time 弹跳时间	-----	
Max. Release time 释放时间	2.5 ms	
Min. Resonant Frequency 响应频率	3000 HZ	
Pull in Value 灵敏值	35-50 AT	
Min. Drop out Value 最小复位数值	16 AT	
Max. Contact Capacitance 最大接触电容	NC_1.5 pF	NO_ 2.5pF
Electrical Life 电气寿命 (Resistive loads VDC) 负载	30V-100mA-5x10 <sup>5</sup> 60V-200mA-1x10 <sup>5</sup>	
Test Coil 测试线圈 Number of turns 圈数 Resistance 电阻	5000 T 450 Ω	

### Dry reed of the use of the matters needing attention

1, shear or bending dry reed pipe of the lead foot be extremely careful, lest exert not proper stress and make the glass-metal seal is damaged the appropriate clamping tools is must use

2, meet temperature and long exposure time could lead to glass-metal seal injury (craze, leakage, etc.), so must the rapid and reliable welding technology (process). Suggested the welding conditions for: the hand when welding 280 ~ 300 ° C, wave soldering when 250 to 300 ° C.

深圳欧卡达科技有限公司

**Shenzhen OKD Co.,Ltd**

Add:Room 2009 Dingcheng international building  
Zhonghang Road Futian District Shenzhen

Tel:0755-83661511 Fax:0755-83559755

Website:<http://www.sz-okd.com>

Email:[szsokd@sina.com](mailto:szsokd@sina.com)

QQ:137030453

